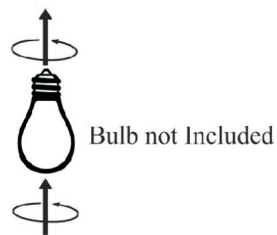
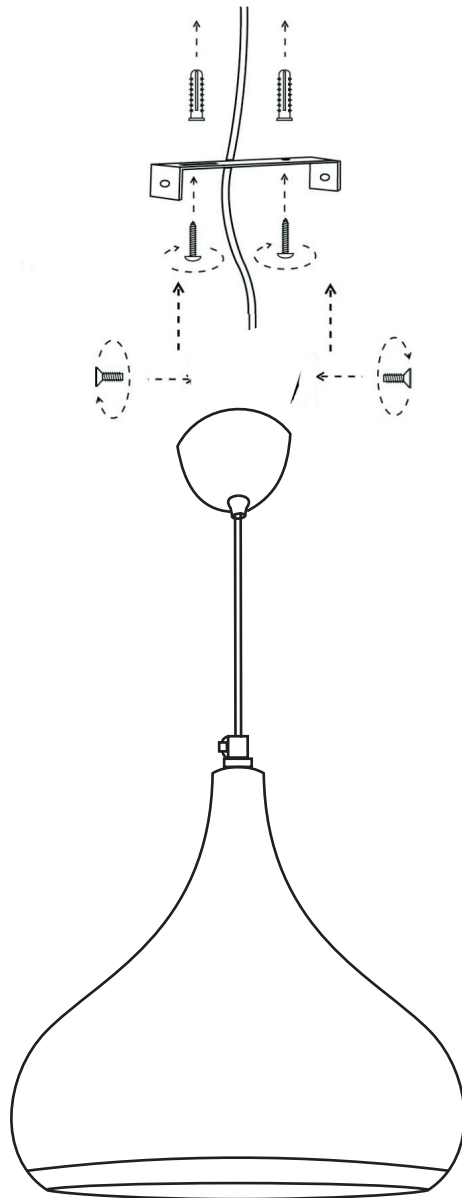
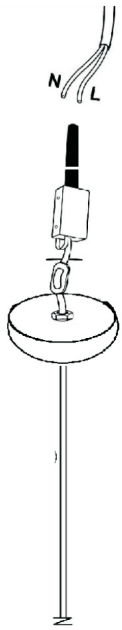


5300115



Neutral	Line
Blue	Brown



To avoid risk, any damage wires or cords must be replaced by the manufacturer, an authorised Maintenance Center or Qualified Electrician