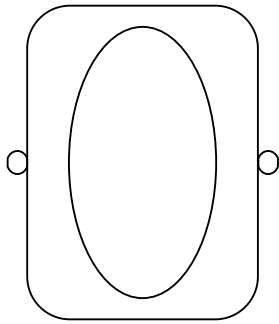
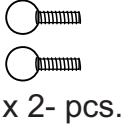
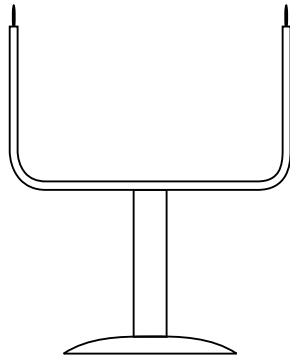


**1**

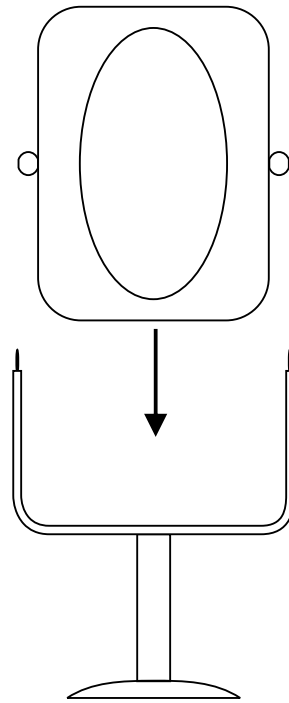
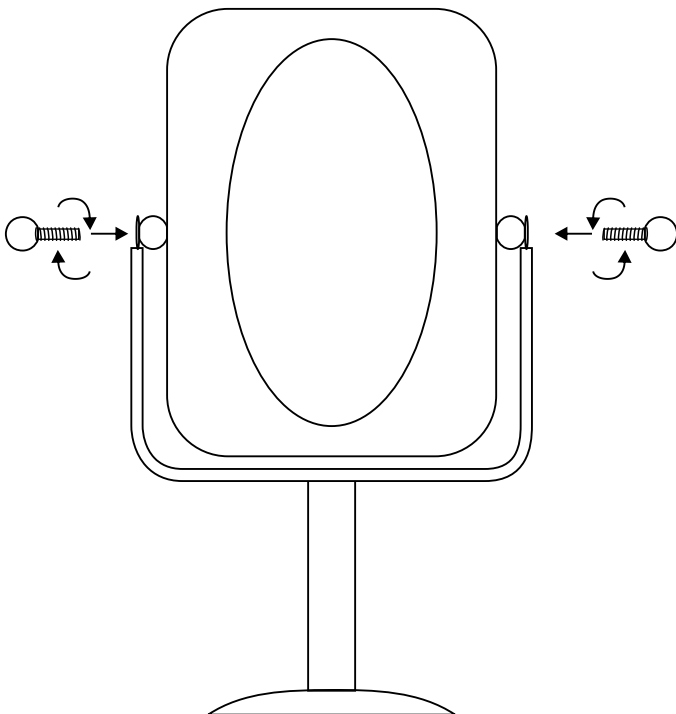
## Components



Mirror Frame- x 1



Stand - x 1

**2****3****4**